



Flex 4EX Series Complete Systems (4 pushbuttons or 2 motions)
(Includes two transmitters and receiver and all necessary hardware)

Systems

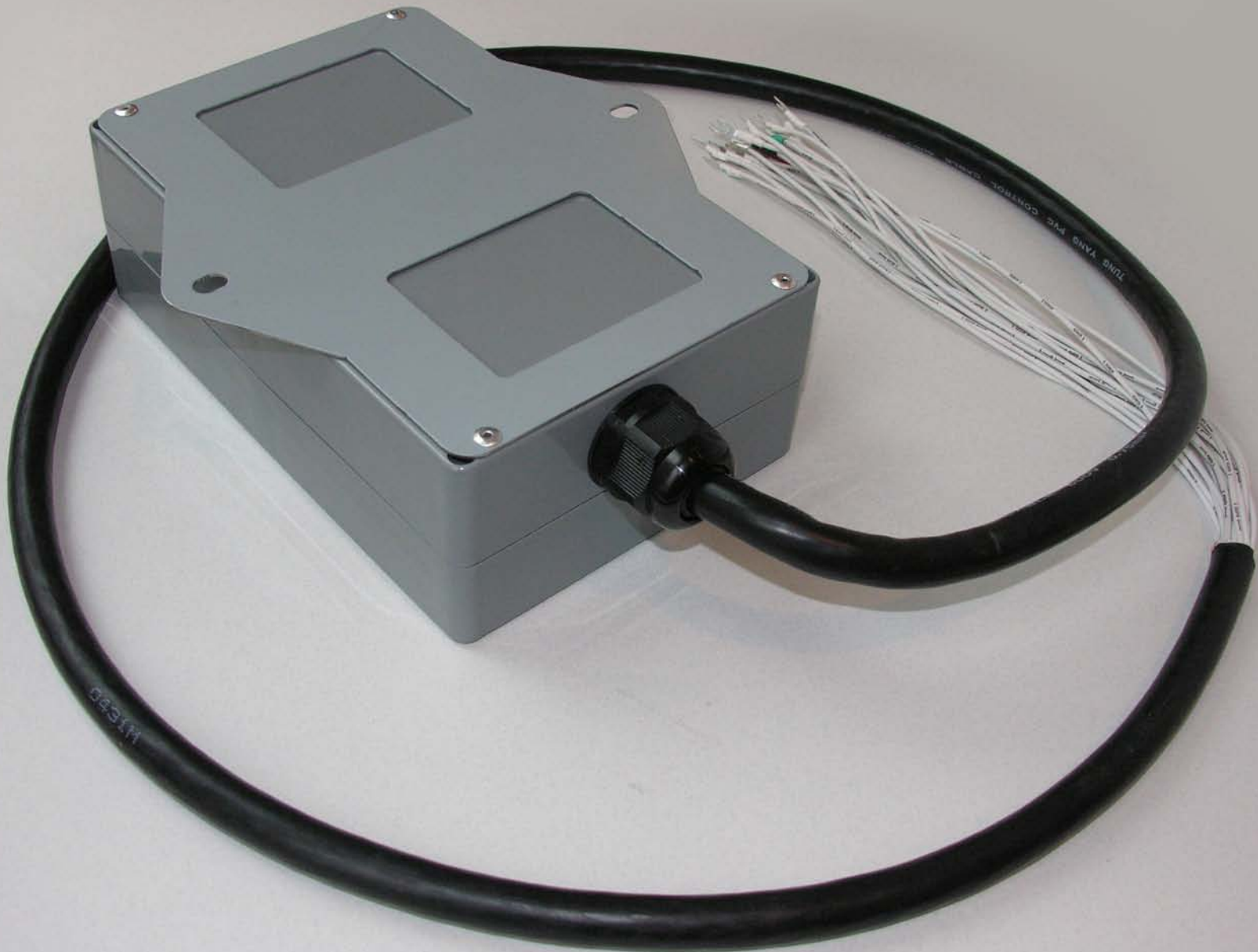
<u>Part Number</u>	<u>Description</u>
Flex 4EX	Four 2 speed pushbuttons and E-stop

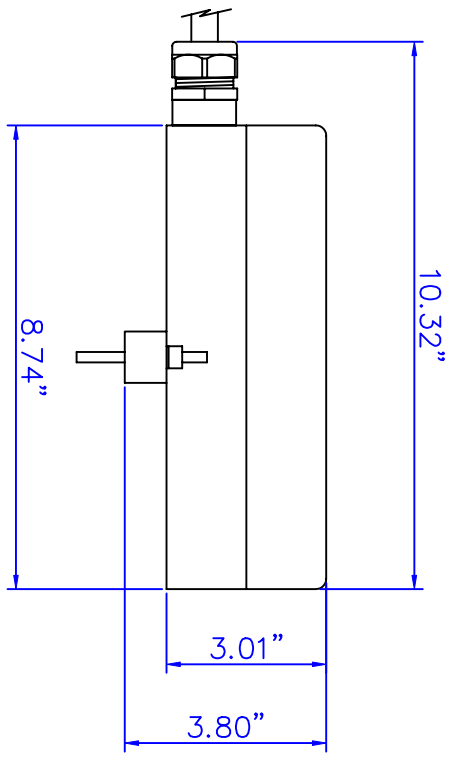
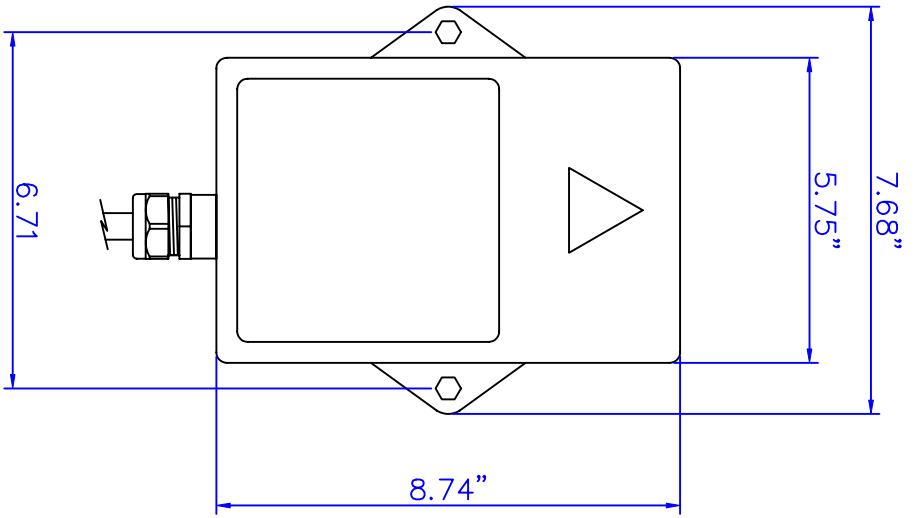
System Specifications

- Frequency Range:** 433~434 MHz (62 channels available)
- Modulation:** Digital Frequency Modulation
- Encoding Reference:** Microprocessor Controlled
- Operating Range:** 300 Feet / 100 Meters
- Battery Life:** +100 hours continuous operation
- Response Time:** 40ms (average measurement)
- Receiver Sensitivity:** -113dBm
- Transmitter Voltage:** 3.0VDC
- Output Contact Rating:** 10A at 250VAC
- Supplied Voltage:** 110VAC ~ 460VAC @ 50/60Hz
- Transmitter and Receiver Enclosure Sealing Rating:** IP-66 (NEMA 4X)
- Operating Temperature:** -25 ~75 C / -13 ~ 167 F
- Transmitter Size:** 5.4" (138mm) x 2.7" (69mm) x 1.3" (34mm)
- Transmitter Weight:** 6.8oz (192g)
- Receiver Weight:** 5.5 lbs (2,500g) all models

Spares Parts

<u>Part Number</u>	<u>Description</u>
TXC 04	Flex 4EX transmitter
TBC 04	Transmitter Battery Cover
CVP 01	Transmitter Vinyl Pouch
PWK 01	Transmitter Power Key
WBT 01	Waist Belt
RXC 07	Flex 4EX receiver
DRB 01	Flex 4EX decoder/relay board
OPC 01	Flex 4ES and 4EX output cable (20 wires)





--REVISION--		
NO.	DATE	DESCRIPTION
1	02-15-05	DRAWING ISSUED FOR PRODUCTION
2		
3		
4		
5		
6		

REV. 1
 LEVEL "Receiving Today's Problems and Transmitting Tomorrow's Solutions"

DRAWN: M. Devine
 APPROVED: W. Koenig

DESCRIPTION: New Flex 4EX Radio Receiver Unit
 PART NUMBER: RXC-07
 SCALE: 1:1

Enrange LLC
 #3 Four Coins Drive
 Canonsburg, PA 15317-1751

DRAWING NO. RXC_07 DIM